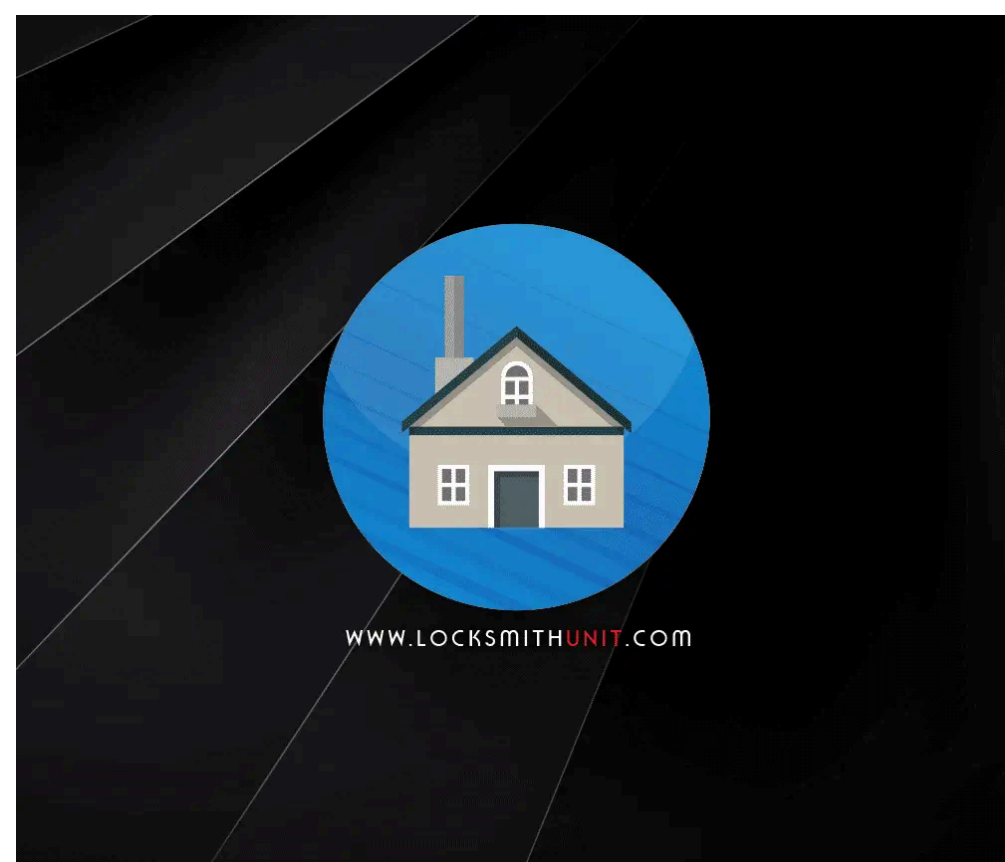


When a lockout happens after business hours, the steps the locksmith takes and the timeline matter more than you realize. Below I outline realistic arrival windows, equipment and safety practices, typical pricing scenarios, and phone questions that save time. If you want immediate help, first use a targeted search like [24 hour locksmith near me](#) searching for a nearby service cuts response time and shows who has staff on shift.

Typical on-scene times and why they vary

Quoted arrival times reflect the nearest available technician, not a guaranteed company-wide standard. Dispatchers typically provide a 20 to 45 minute range based on how many calls are active and whether the technician is finishing a job. Construction near Orlando International Airport and major game days can add 15 to 30 minutes to normal travel time.



What the locksmith brings and why those tools matter

For cars, expect slim jims, long-reach tools, and inflatable wedges in addition to key programming gear for modern vehicles. A marked truck and a uniform help confirm legitimacy, and asking for ID is reasonable and quick. Many techs carry replacement hardware if a lock is damaged beyond repair, but full replacements for high-security systems may require ordering.

What the locksmith checks first

A quick visual inspection usually precedes any tool work to check for forced entry and obvious damage. If you are locked out after a break-in, they may recommend contacting law enforcement before repair in some cases. Modern vehicles can require a compatible key blank and an onboard programming tool, which adds time compared with older cars.

What you will likely pay and how estimates work

Locksmith charges usually break down into an initial call-out fee plus labor and parts, and those components are often quoted separately. A straightforward residential lockout resolved non-destructively may be in a lower, clearer price band than a lock replacement. Always ask the dispatcher [locksmith Orlando FL](#) whether the company charges extra for weekends, holidays, or late-night calls, and whether the price quoted is an estimate.

How to confirm the person at your door is legitimate

You should ask for a photo ID and company identification before letting anyone start work on your locks. Typing the business name into a search or checking a recent invoice from the company can validate the call. If you have a security camera, notify the technician that their actions are being recorded for accountability.

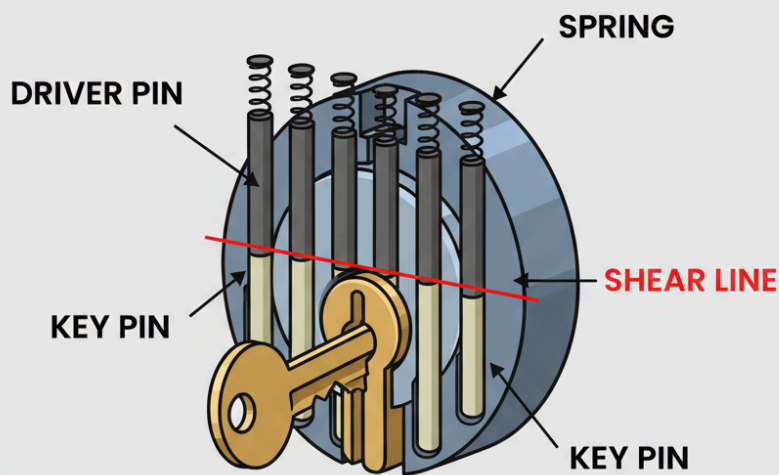
When to accept a temporary fix

If the lock is old or shows wear, plan for replacement soon after a non-destructive entry to restore full security. When drilling is required, ask if the technician will reinstall a new cylinder before leaving or if a follow-up visit is needed. Scheduling a weekday replacement allows more product choices and avoids after-hours premiums.

A checklist of phone questions that matter

If the dispatcher knows whether it is a car, house, or office lock, they can send a tech with the correct tools. Ask for a price band for a non-destructive opening and for a drilled replacement so you can weigh options in person. This simple verification step reduces the chance of impostor approaches and is standard among reputable companies.

2. The Pin Stacks



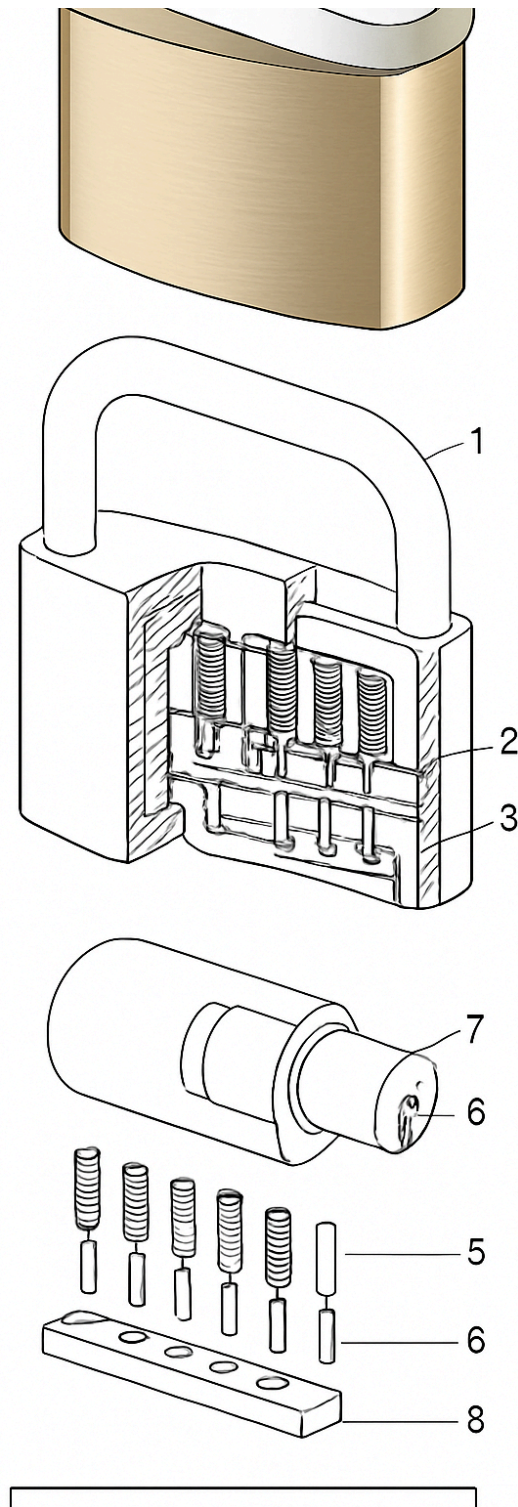
Why checking a company's web presence helps

If a listing shows recent photos of branded vehicles and technicians, that is a positive sign of professionalism. Beware listings with many generic five-star reviews and no timestamps, and prefer providers with transparent policies. If you want to check availability quickly, a targeted search like [locksmith Orlando FL](#) can direct you to companies listing current hours and emergency contact methods.

Why new cars sometimes take longer

If your car uses a transponder, proximity fob, or smart key, the locksmith will confirm whether they have compatible equipment before leaving the yard. Ask when you call whether the locksmith services your specific make and model and

whether additional parts will be needed. For older cars without transponders, a non-destructive entry and on-the-spot cutting are usually quick and inexpensive.



When to call and when to wait for daytime service

If the issue is inconvenience only and there is no threat, scheduling a weekday visit can save money. If you are staying at a hotel or with a neighbor, delay non-urgent work until normal business hours. A reputable company will offer a reasonable timeline for the permanent solution.

Final priorities and what to expect on the invoice

Technicians typically provide a written invoice that lists trip fee, labor, parts, and any applicable taxes or surcharges. If a new lock was installed, the invoice should list brand, model, and serial numbers when applicable so future warranty or service requests are easier. If you have a maintenance plan or warranty, ask how to register it and what is covered for future service.

Expect professionalism, reasonable pricing bands, and transparent documentation from a reputable Orlando locksmith. If you want further guidance on specific lock types or typical cost ranges for the Central Florida market, I can add more

detailed examples and cost brackets based on current vendor quotes.

Locksmith in Orlando, Florida: If you're looking for a reliable locksmith in Orlando, FL, our company is here to help with certified and trustworthy locksmith services designed to fit your needs.

Locksmith Orlando | Locksmith Unit

- **Address:** 3725 Conroy Rd, Orlando, FL 32839, United States
- **Phone:** [+1 407-267-5817](tel:+14072675817)
- **Hours:** Open 24 hours
- **Website:** locksmithunit.com
- **Contact Us:** [Contact Locksmith Unit Orlando, FL](#)
- **About Us:** [About Locksmith Unit Orlando, FL](#)

Connect with us

- **Google Business Profile:** [Locksmith Orlando | Locksmith Unit on Google Maps](#)
- **Facebook:** [Locksmith Orlando | Locksmith Unit on Facebook](#)
- **Instagram:** [Locksmith Orlando | Locksmith Unit on Instagram](#)
- **YouTube:** [Locksmith Orlando | Locksmith Unit on YouTube](#)
- **TikTok:** [Locksmith Orlando | Locksmith Unit on TikTok](#)
- **X (Twitter):** [Locksmith Orlando | Locksmith Unit on X \(Twitter\)](#)
- **LinkedIn:** [Locksmith Orlando | Locksmith Unit on LinkedIn](#)
- **Pinterest:** [Locksmith Orlando | Locksmith Unit on Pinterest](#)
- **Threads:** [Locksmith Orlando | Locksmith Unit on Threads](#)
- **Blogger:** [Locksmith Orlando | Locksmith Unit on Blogger](#)
- **Tumblr:** [Locksmith Orlando | Locksmith Unit on Tumblr](#)
- **Bluesky:** [Locksmith Orlando | Locksmith Unit on Bluesky](#)
- **Band:** [Locksmith Orlando | Locksmith Unit on Band](#)
- **VK:** [Locksmith Orlando | Locksmith Unit on VK](#)
- **Yelp:** [Locksmith Orlando | Locksmith Unit on Yelp](#)

Worldwide Brand Profiles

- **Medium:** [Locksmith Unit on Medium](#)
- **Instapaper:** [Locksmith Unit on Instapaper](#)
- **Diigo:** [Locksmith Unit on Diigo](#)

More Locksmith Services

- [Commercial Locksmith](#)
- [Residential Locksmith](#)
- [Automotive Locksmith](#)
- [Car Locksmith](#)
- [Vaults and Safes Locksmith](#)
- [Lock Change](#)