

If you are locked out late at night, the choice to call a 24 hour locksmith often ends up being practical and fast. I write from years on-call in Central Florida, so I know which services solve problems reliably and which create new headaches. In many cases a quick phone call to [locksmith Orlando](#) gets you back inside without damage, and the right company will explain arrival time, pricing, and identification requirements up front. Read on for concrete examples, typical price ranges, and the safety checks that protect your property and wallet.

Common situations that require a 24/7 locksmith.

If no one nearby carries a spare key, professional entry is typically the best path. Waiting for a friend works when timing is flexible, but in emergencies it is often safer and faster to call a pro. On one memorable evening a client tried several DIY hacks; the technician I sent resolved the lockout cleanly in under 10 minutes and saved the client an expensive cylinder replacement. When personal safety is a concern, prioritize calling a professional and, if appropriate, law enforcement.

When keys snap off inside a lock, trained technicians remove the broken section and assess whether rekeying or replacement is best. A DIY attempt to pull a broken key often pushes metal deeper or damages the cylinder, forcing a full replacement. If you suspect the remaining key is brittle from wear, you should plan for a replacement key cut to match the extracted fragment or for rekeying to a fresh set of cuts.

What to check before you hire an emergency locksmith.

A long-standing local address and a named technician are basic credibility checks that matter. Lack of a verifiable local address frequently correlates with subpar work or bait-and-switch pricing. A legitimate service carries liability insurance and displays or hands over credentials upon request. No-ID situations are avoidable — walk away and choose another provider.

Get a written or spoken estimate before any work starts and confirm whether the price quoted covers labor, parts, mileage, and any emergency call fee. I have seen calls where an initial quote doubled after arrival because the caller did not ask for a breakdown; insist on specifics. If a tech insists you must pay in cash only, that deserves scrutiny.

How technicians usually gain non-destructive entry.

Expect the van to contain specialized picks, bypass tools, key blanks, cutting machines, and replacement cylinders. Non-destructive methods are the first choice for quality techs; destructive methods are a fallback when locks are damaged or nonstandard. Drilling without explanation or without offering a compatible repair is a practice to avoid.

For electronic or keypad locks, the technician checks batteries, wiring, and backup entry procedures. Experienced techs bring battery packs, programming tools, and spare modules [24 hour locksmith](#) for common smart-lock brands. If your smart lock is under manufacturer warranty, ask whether the tech will document the intervention so the warranty remains valid.

How emergency call fees, labor, and parts usually break down.

Most companies add a late-night or emergency fee on top of standard labor and parts. For a simple late-night entry, typical charges vary by distance and difficulty, so expect a range instead of a flat rate. As a practical guide, basic late-night entries often fall between about \$75 and \$200, and replacement hardware pushes the total upward. Clarify whether the figure you are given is a base call fee, an estimate, or a capped price for the job.

What documentation helps speed the job.

Technicians must verify you have a right to enter the property before they work on a lock. Providing a matching ID plus either a lease or a recent bill usually expedites verification. If you cannot produce documents, the tech may call the property owner or manager, or request another form of confirmation. Taking time to verify ownership avoids mistaken entries and protects both parties from potential disputes.



Mobile key cutting and on-site replacement options.

Many trucks carry portable key cutting machines and common cylinder types to provide same-visit solutions. If the cylinder functions well, rekeying can be an economical choice instead of buying new hardware. Full replacement makes sense for worn, corroded, or security-grade upgrades where the existing mechanism cannot be trusted. Discuss lock grades and brand reputations with the technician before buying parts; long-term durability matters more than the lowest upfront price.

How weather, neighborhood, and time of night affect response and pricing.

Traffic and distance drive response times more than anything else in a metro area like Orlando. Special events and road closures may delay service and create higher demand, which impacts both timing and cost. When safety and weather are not immediate concerns, delaying to business hours often yields better pricing and more technician choices.

How small actions can preserve the lock.

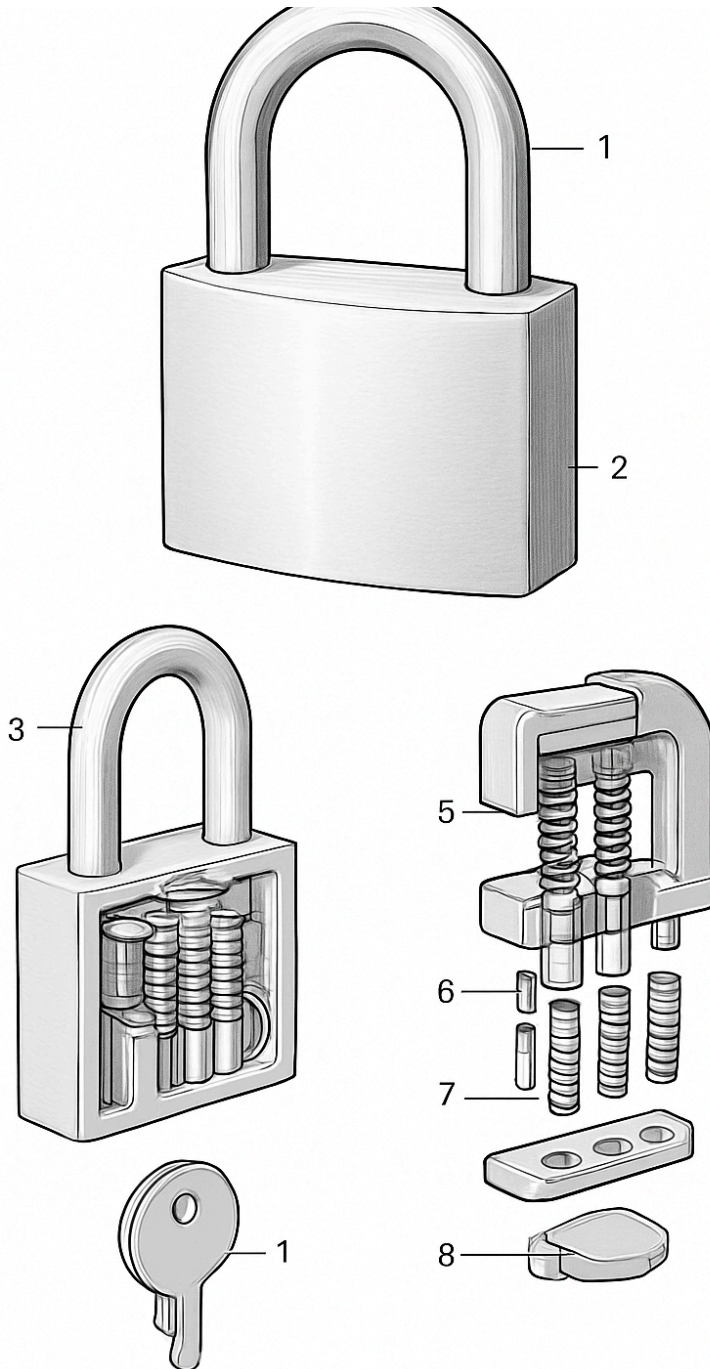
Clearing clutter and moving vehicles away from the technician's workspace speeds work and reduces trip time. Try gentle measures like checking all entry points, confirming the deadbolt is not engaged, and looking for spare keys hidden in intentional locations. Avoid forcing tools or trying to drill unless you are comfortable with locksmithing; improper attempts often add replacement costs. Having ID, lease, or recent utility bill handy reduces wait time and lets the technician proceed quickly.

Frequently asked questions about 24 hour locksmiths in Orlando.

Unusually cheap estimates should prompt a request for itemized pricing and references before committing. Once the tech is present, a normal lockout often resolves within a half-hour unless the lock is unusually complex. Will they replace the lock on the spot? — If the technician carries the appropriate cylinder or hardware, yes; otherwise they may secure the door and return with parts.

How a local technician's experience shortens response and reduces surprises.

Local techs know traffic patterns, gated-community rules, and which hardware is common in nearby neighborhoods. Knowing which side of a complex has service gates or where utility doors sit matters on a timed job. Proximity increases accountability and speeds subsequent warranty visits if necessary.



1 Shackle	3 Cylinder poss	7 Springs
2 Lack body	4 Plus	8 Carn



Alternatives and trade-offs to late-night locksmith calls.

If a locked-out car is here and you have roadside assistance, that is often cheaper than a locksmith for vehicle entry. Delaying to business hours is sensible when safety and immediate access are not issues. In potential crime scenes, prioritize police and then coordinate with a locksmith for secure repairs.

A professional wraps up each job with a written invoice, parts list, and warranty or guarantee for their labor. If you ever feel the work was sloppy or unauthorized, contact the company first and request remediation; if necessary, use local consumer protection channels. Having a trustworthy local locksmith on speed dial reduces stress and often saves money over time because repeated minor problems are handled promptly and properly.

Keep a short emergency entry checklist on your phone with the company name, local address, technician ID, estimate, and payment options. Preparedness pays off — it shortens waits, clarifies costs, and improves the final outcome. Call a vetted local 24 hour locksmith when timing, safety, or property protection matters, and insist on documentation and reasonable guarantees for the work performed.

Locksmith in Orlando, Florida: If you're looking for a reliable locksmith in Orlando, FL, our company is here to help with certified and trustworthy locksmith services designed to fit your needs.

Locksmith Orlando | Locksmith Unit

- **Address:** 3725 Conroy Rd, Orlando, FL 32839, United States
- **Phone:** [+1 407-267-5817](tel:+14072675817)
- **Hours:** Open 24 hours
- **Website:** locksmithunit.com
- **Contact Us:** [Contact Locksmith Unit Orlando, FL](#)
- **About Us:** [About Locksmith Unit Orlando, FL](#)

Connect with us

- **Google Business Profile:** [Locksmith Orlando | Locksmith Unit on Google Maps](#)

- **Facebook:** [Locksmith Orlando](#) | [Locksmith Unit on Facebook](#)
- **Instagram:** [Locksmith Orlando](#) | [Locksmith Unit on Instagram](#)
- **YouTube:** [Locksmith Orlando](#) | [Locksmith Unit on YouTube](#)
- **TikTok:** [Locksmith Orlando](#) | [Locksmith Unit on TikTok](#)
- **X (Twitter):** [Locksmith Orlando](#) | [Locksmith Unit on X \(Twitter\)](#)
- **LinkedIn:** [Locksmith Orlando](#) | [Locksmith Unit on LinkedIn](#)
- **Pinterest:** [Locksmith Orlando](#) | [Locksmith Unit on Pinterest](#)
- **Threads:** [Locksmith Orlando](#) | [Locksmith Unit on Threads](#)
- **Blogger:** [Locksmith Orlando](#) | [Locksmith Unit on Blogger](#)
- **Tumblr:** [Locksmith Orlando](#) | [Locksmith Unit on Tumblr](#)
- **Bluesky:** [Locksmith Orlando](#) | [Locksmith Unit on Bluesky](#)
- **Band:** [Locksmith Orlando](#) | [Locksmith Unit on Band](#)
- **VK:** [Locksmith Orlando](#) | [Locksmith Unit on VK](#)
- **Yelp:** [Locksmith Orlando](#) | [Locksmith Unit on Yelp](#)

Worldwide Brand Profiles

- **Medium:** [Locksmith Unit on Medium](#)
- **Instapaper:** [Locksmith Unit on Instapaper](#)
- **Diigo:** [Locksmith Unit on Diigo](#)

More Locksmith Services

- [Commercial Locksmith](#)
- [Residential Locksmith](#)
- [Automotive Locksmith](#)
- [Car Locksmith](#)
- [Vaults and Safes Locksmith](#)
- [Lock Change](#)