

If you need a reliable local locksmith for a residential emergency in Orlando, you want someone who pairs [locksmith](#) speed with clean technique and clear pricing. My perspective comes from real calls at odd hours, repair work in humid Florida summers, and learning which brands and tactics stand up to daily use. You will read clear signs to look for, questions to ask on the phone, and scenarios where you should not hesitate to call a pro.

How to recognize a trustworthy Orlando locksmith

A dependable locksmith gives a realistic arrival window, identifies themselves, and offers a concise estimate before starting work. If the technician refuses to explain what they will do or quotes a wildly low price before seeing the lock, that is a warning sign. If the first plan involves destructive techniques, ask why non-destructive options will not work and request a second opinion if you can wait.

What to ask during the emergency phone call

Give a clear location, describe the lock or door material, and mention any immediate safety concerns so the locksmith can bring the right tools. Request the tech's name, whether the crew is background-checked, and whether payment by card is accepted, since many callers do not carry cash. If they refuse to give any price range on the phone, gauge whether you can wait for another provider who offers transparency.

How quickly a 24 hour locksmith Orlando should realistically arrive

Expect response times to vary from about 10 minutes for very local teams up to an hour during heavy evening traffic or busy holiday nights. Rush hour, special events, and weather will lengthen waits, and the company should tell you if they are delayed so you can make other arrangements. Companies that maintain teams across neighborhoods tend to hit the shorter end of arrival windows more consistently.

How locksmiths get you back inside without wrecking the door

When locks are modern and high-security, techniques like picking or using specialized bypass picks are still preferred to avoid claims of unnecessary damage. Sometimes the quicker, less costly fix is to remove interior trim and access the mechanism, which preserves the exterior hardware for later replacement if needed. If drilling is necessary, the technician should explain why and show you the damaged parts before proceeding.

Pricing realities and what a fair emergency fee looks like

Expect higher rates after normal business hours, with emergency premiums varying from modest increases to substantially higher charges [Locksmith Unit Orlando, FL](#) depending on the company. If the locksmith quotes an immediate flat price over the phone for unknown conditions, ask for specifics about what is and is not included. If you feel the price is unfair after the job, request a detailed invoice and consider filing a complaint with local consumer protection if there is clear bait-and-switch behavior.

Warning signs that a locksmith might be dishonest

Another trick is to quote a low emergency fee on the phone but demand cash-only payment at arrival and then increase the price under pressure. To protect yourself, ask for the final price in writing when possible and pay by card so you have a transaction record if disputes arise. Use local business review sites and recent customer feedback as a sanity check, because repeat complaints about billing or damage are telling.

When to choose repair over replacement and vice versa

When the keyway is badly worn, tumblers are corroded, or the lock is a decade or older, replacement usually saves money and grief in the long run. If you rent, coordinate with the landlord and document the locksmith's assessment so responsibility for replacement is clear. When matching a finish is important, request the technician source compatible parts or suggest reliable local suppliers.

How to handle special cases: gated communities, smart locks, and landlords

Gated communities and buildings with front-desk security often require additional permissions, so inform the locksmith ahead of arrival to avoid delays. When a smart lock is offline due to Wi-Fi or battery failure, the locksmith may need the physical key or the app recovery procedure, so have those details ready. For historic doors, ask about salvaging original hardware, because a sympathetic locksmith can often repair old mortise locks instead of replacing them.

Simple practices that prevent lockouts and failures

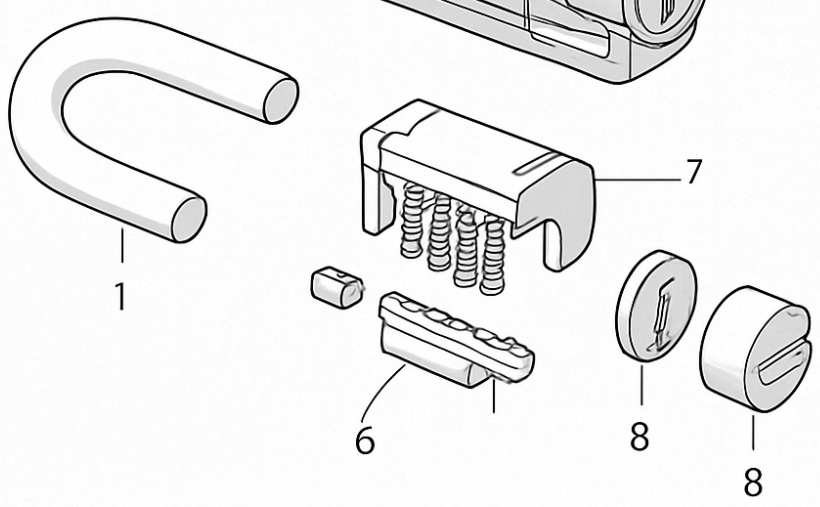
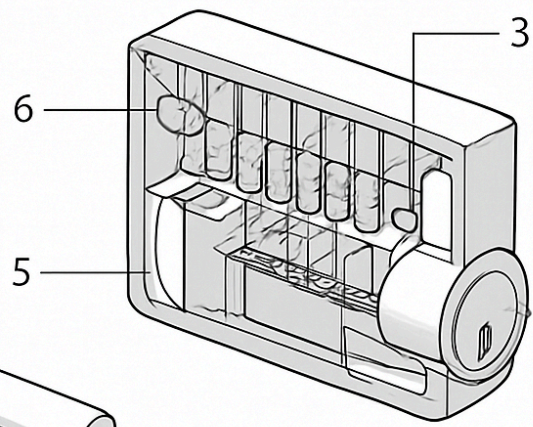
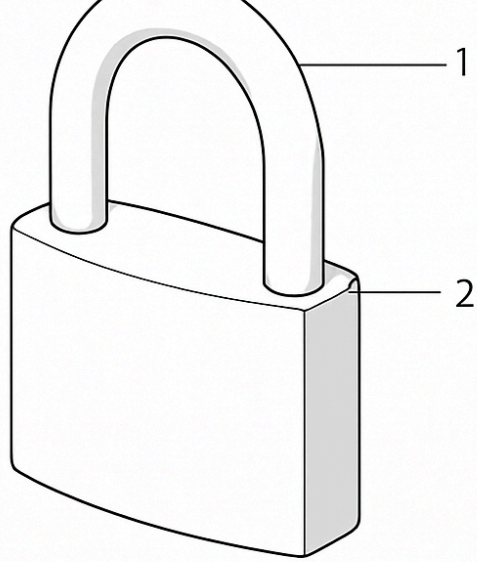
Lubricate keyways annually with a dry graphite or Teflon-based lubricant to reduce wear and sticking keys. Avoid oil-based lubricants that attract dust and accelerate wear, because those create gummy residues inside the mechanism. If you plan to change locks for security reasons, rekeying can be a cheaper option than full replacement when the hardware is otherwise sound.

Practical checks to feel confident about hiring a pro

If the technician is affiliated with professional associations, ask which ones and whether membership is current, because it shows investment in the craft. Request the technician's name and license number if applicable in your jurisdiction and make a brief note before they begin work. If a company refuses to provide basic verification or seems evasive about contact details, consider that a sign to look elsewhere.

Final thoughts on choosing a trusted local locksmith in Orlando

A good locksmith balances speed with care, explains options plainly, and leaves the hardware in a better state than they found it. Keep a local number saved, ask basic vetting questions upfront, and be willing to pay a fair emergency premium for reliability and professionalism. You will sleep better knowing you have one reliable contact to call if the keys betray you again.



1 Shackle	2 Lock body	3 Cylinder housing
-----------	-------------	--------------------