

Locked out at 2 a.m. is never convenient, and having a reliable contact matters. This article explains how a Quick 24-hour locksmith for Central Florida lockouts operates, what to expect from arrival to resolution, and how to choose a trustworthy service. [lockout service](#) I will use examples from Orlando neighborhoods to explain arrival patterns, pricing ranges, and when to insist on identification; these apply across most Central Florida suburbs.

What determines response time for local locksmiths.

Speed depends on how a company manages calls, technicians, and vehicles. If every technician is coming from across town, arrival will be slower and intermittently unpredictable. Traffic in Orlando varies by time of day and by corridor; main arteries around I-4 and the tourist zones can slow crews significantly.



WWW.LOCKSMITHUNIT.COM



Questions to prioritize when you call for help.

First [locksmith near me](#) impressions over the phone matter, and smart questions save time later. Ask if the tech will provide photo ID and company identification on arrival; reputable operators do this without hesitation. If you have a high-security or electronic lock, specify that so the crew sends a technician qualified to handle it.

What a locksmith does when they arrive.

Expect the technician to discuss options rather than immediately selecting the most destructive method. Once identity and ownership are confirmed, the tech inspects the lock and door to choose a minimal-damage approach. Sometimes gaining entry is straightforward but the lock is badly worn and needs replacement to be secure; the tech will point this out.

Understanding common fee structures and what they cover.

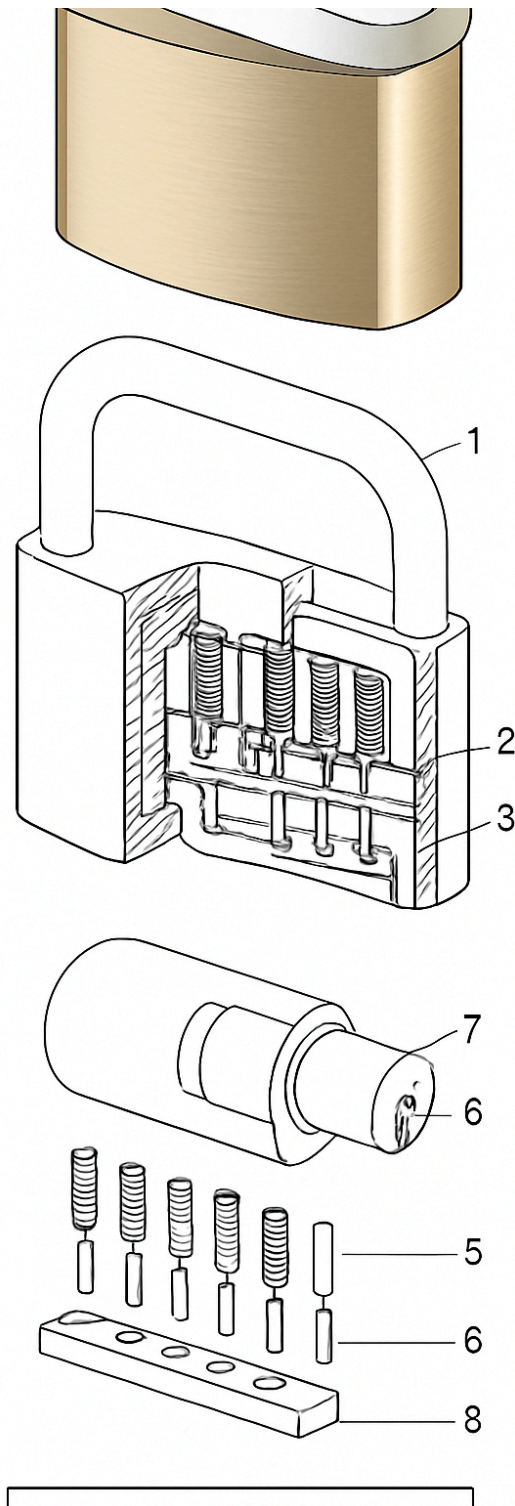
Locksmith pricing in Orlando usually combines a call-out fee and a labor or service charge. For a standard residential lockout during normal business hours, a typical range is often around a low two-digit call-out plus a modest service fee, but after-hours service commonly pushes totals into the low to mid three-digit range. Get the estimate in clear terms: call-out, labor, parts, taxes, and any disposal or disposal fees if applicable.

Trade-offs a locksmith faces and what you should decide.

Some customers prefer a slightly longer wait for a non-destructive approach to preserve an expensive or decorative lock. If you value keeping the existing hardware, say so clearly and ask the tech how long non-destructive entry is likely to take. When the technician has to drill, choose replacement hardware at that moment if you want the job completed in a single visit.

Red flags and simple checks you can do before the tech starts work.

Legitimate locksmiths carry visible company ID and can provide an invoice with business contact details. For commercial jobs or rental properties, ask for proof of insurance and a liability waiver if you're concerned about property damage. Keep a record of the technician's ID number, vehicle plate, and the invoice to protect yourself in the rare event of a dispute.



Differences between vehicle and residential lockouts.

If your key is broken in the ignition or the fob is dead, that changes the diagnosis completely. If you have a keyless entry fob, mention whether you have a spare; programming a new fob on scene may be possible but often adds cost. If your vehicle uses proximity entry and the battery is out, the tech may show you where to briefly hold the fob to the start sensor to bypass the issue.

When locks should be replaced rather than repaired.

Not every broken lock needs replacement, but several clear signs point to replacement as the responsible choice. Opt for a lock with a proven ANSI grade and a solid warranty when you replace hardware; spending slightly more upfront saves repeated calls. For exterior doors, recommend a deadbolt with at least a 1-inch throw and a reinforced strike plate attached with long screws that reach the framing.

Preventive measures and small investments that save time and money.

Routine measures like keeping a spare key with a trusted neighbor, or storing a key in a secure lockbox, cut down lockout frequency. Enroll in a roadside assistance plan that includes lockout coverage if you drive often, and register a spare key with family members who live nearby. If you live in a hurricane-prone area, store important keys and documents in a waterproof, clearly labeled container to avoid losing access during an emergency.

How to read reviews critically and what questions to ask references.

A pattern of consistent, specific reviews usually beats a handful of glowing but vague comments. Ask neighbors or local businesses which companies they call for off-hours lockouts, since they experience the same traffic and event patterns as you do. A good referral will often include an anecdote about how the tech handled an unexpected issue, which reveals judgment and skill more than simple star ratings.

Final practical checklist before you place the call.

Use your phone to store the information so it is simple to copy into a call. Confirm your payment method and whether you need an itemized invoice, especially for rental or business expense reimbursement. If the lockout involves a child, medical concern, or safety risk, state that clearly so the dispatcher escalates your call appropriately.

A few closing observations from the field.

If you treat the encounter as a short, technical collaboration, you will usually get a quicker and cleaner resolution. Keep records of invoices and technician details; a good locksmith relationship is valuable and can spare you time later. Choose a company that balances transparency, documented pricing, and practical experience; those three qualities predict consistent, fair work.

Locksmith in Orlando, Florida: If you're looking for a reliable locksmith in Orlando, FL, our company is here to help with certified and trustworthy locksmith services designed to fit your needs.

Locksmith Orlando | Locksmith Unit

- **Address:** 3725 Conroy Rd, Orlando, FL 32839, United States
- **Phone:** [+1 407-267-5817](tel:+14072675817)
- **Hours:** Open 24 hours
- **Website:** locksmithunit.com
- **Contact Us:** [Contact Locksmith Unit Orlando, FL](#)
- **About Us:** [About Locksmith Unit Orlando, FL](#)

Connect with us

- **Google Business Profile:** [Locksmith Orlando | Locksmith Unit on Google Maps](#)
- **Facebook:** [Locksmith Orlando | Locksmith Unit on Facebook](#)
- **Instagram:** [Locksmith Orlando | Locksmith Unit on Instagram](#)
- **YouTube:** [Locksmith Orlando | Locksmith Unit on YouTube](#)
- **TikTok:** [Locksmith Orlando | Locksmith Unit on TikTok](#)
- **X (Twitter):** [Locksmith Orlando | Locksmith Unit on X \(Twitter\)](#)
- **LinkedIn:** [Locksmith Orlando | Locksmith Unit on LinkedIn](#)
- **Pinterest:** [Locksmith Orlando | Locksmith Unit on Pinterest](#)
- **Threads:** [Locksmith Orlando | Locksmith Unit on Threads](#)
- **Blogger:** [Locksmith Orlando | Locksmith Unit on Blogger](#)
- **Tumblr:** [Locksmith Orlando | Locksmith Unit on Tumblr](#)
- **Bluesky:** [Locksmith Orlando | Locksmith Unit on Bluesky](#)
- **Band:** [Locksmith Orlando | Locksmith Unit on Band](#)
- **VK:** [Locksmith Orlando | Locksmith Unit on VK](#)
- **Yelp:** [Locksmith Orlando | Locksmith Unit on Yelp](#)

Worldwide Brand Profiles

- **Medium:** [Locksmith Unit on Medium](#)
- **Instapaper:** [Locksmith Unit on Instapaper](#)
- **Diigo:** [Locksmith Unit on Diigo](#)

More Locksmith Services

- [Commercial Locksmith](#)
- [Residential Locksmith](#)
- [Automotive Locksmith](#)
- [Car Locksmith](#)
- [Vaults and Safes Locksmith](#)
- [Lock Change](#)