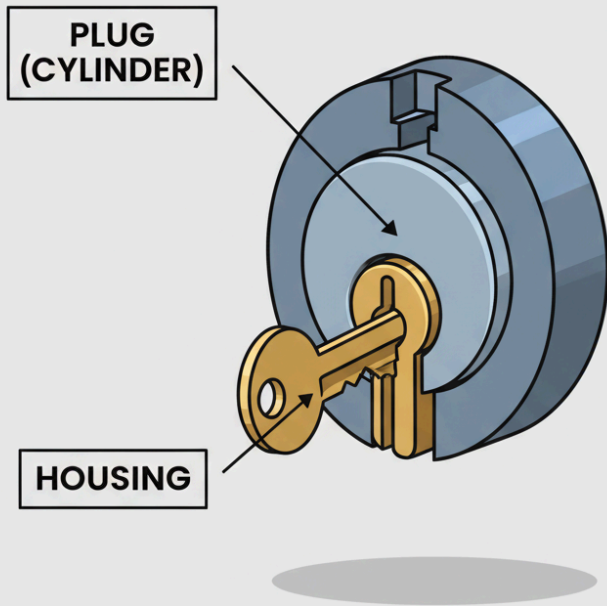


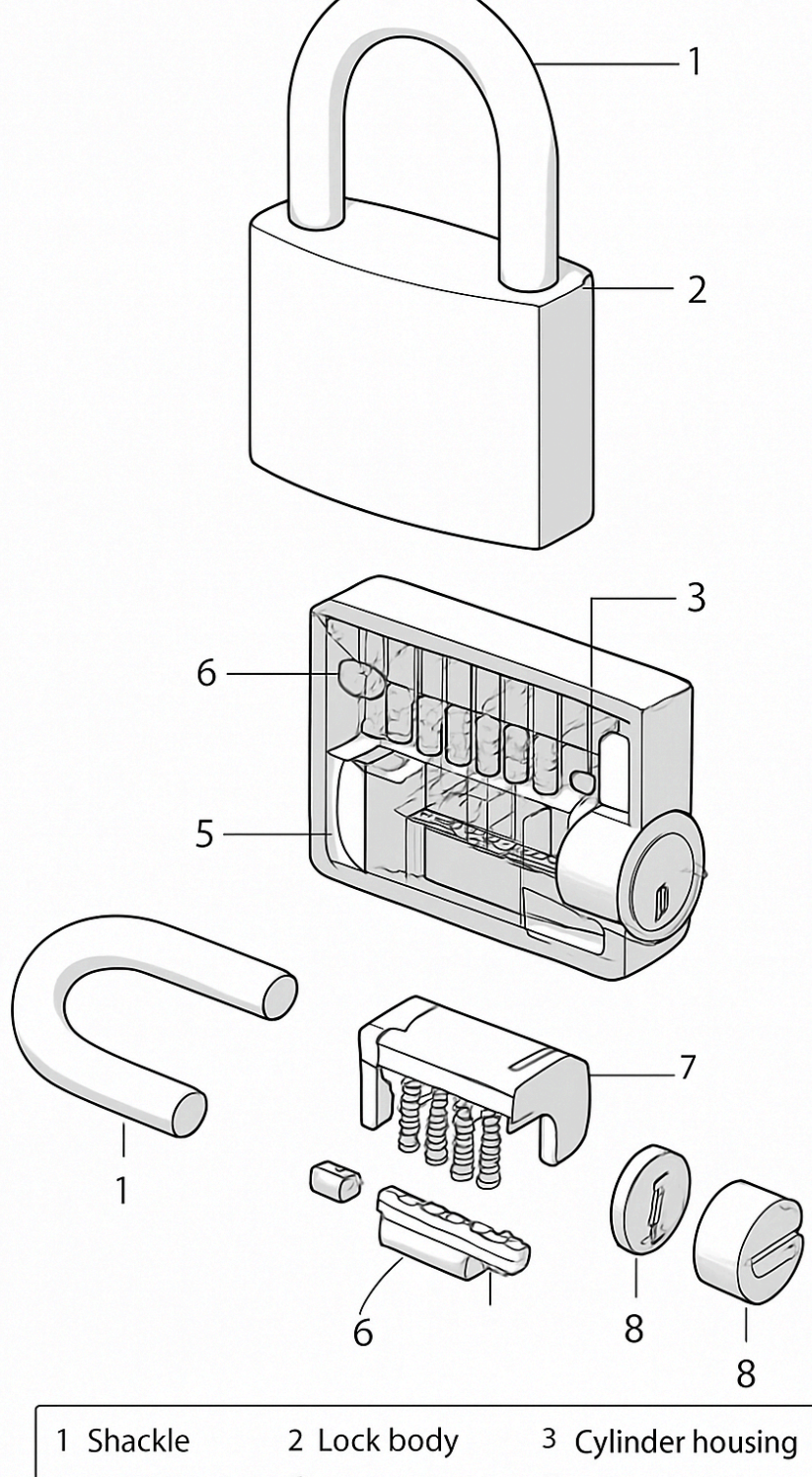
Emergency lock situations demand decisive action and reliable workmanship, not guesses or long delays. Below I walk through the process, common complications, and practical advice so you can make a fast, informed decision. If you prefer to check options online before calling, see a local resource here: and compare services at [locksmith Orlando](#) for pricing, hours, and availability.

1. The Basic Components



Step-by-step: the on-site process for replacing a lock.

When a technician arrives for an emergency lock change, they follow a short checklist to diagnose the situation. They will ask how the problem started, whether you still have keys, and if the door or frame is damaged. Then the locksmith will demonstrate the failure mode and outline the minimal scope to restore secure entry. With agreement, most standard deadbolts or knob locks can be swapped in roughly 20 to 40 minutes, depending on door condition.



When to choose a full lock replacement rather than a rekey.

A forced entry usually ruins the internal parts and potentially weakens the door, so swapping to a fresh lock is the prudent move. If you simply lost keys and there is no sign of tampering, a rekey is often cheaper and quicker, and you can see options at [locksmith near me](#) to compare prices for both services. If the door is older than about 15 years or has visible rot or paint build-up, I usually recommend addressing the door and frame when replacing the hardware.

Understanding the cost components of an emergency lock change.

A callout will usually include a travel fee, the technician's time, and the price of the lock and any additional parts needed. Expect a higher total if you choose a premium cylinder, electronic keypad, or if the frame or strike plate needs reinforcement. I always recommend asking for a full written estimate before any work begins so there are no surprises.

What can go wrong during a lock change, and how I fix it in the field.

If a deadbolt binds, it is usually a geometry issue between the jamb and the bolt rather than a failing cylinder. If the jamb is split or the strike is sheared, the repair goes beyond a simple lock swap and may require a wooden or metal

reinforcement piece, and you can find contractors listed at [locksmith Orlando](#). Another issue is nonstandard hardware from older houses where screws or plates are corroded, requiring alternative fasteners or small fabrication on site.

Smart locks and electronic replacements: benefits and trade-offs.

Electronic hardware gives remote control and logs, but it requires batteries and a backup entry method in case of power loss or electronic failure. If you are considering an upgrade, make sure the chosen model matches your door thickness and that there is a mechanical override, and you can preview compatible models at [locksmith](#) before purchase. If you want to upgrade to a restricted keyway or anti-drill cylinder, plan for that to increase material cost and at times increase installation time.

Safeguards locksmiths use to avoid unauthorized entry work.

For apartments, a property manager or landlord confirmation is often required before changing locks. If you call for an emergency change and do not have the original proof, the technician will usually accept other corroborating evidence, but policies vary and you can learn local standards at [24 hour locksmith](#). If you are in immediate danger or suspect a crime, call law enforcement first and then a locksmith; technicians do not replace obviously criminal scenes without police clearance.

Red flags and checkmarks when selecting a 24 hour locksmith near me.

A reliable locksmith will provide a company name, a local phone number, a license if required, and a clear estimate before charging you. Also ask about parts brands and warranty length, and read small print for mileage or after-hours surcharges, and you can see standard practices listed at [lockout service](#). Lowball pricing sometimes hides hidden fees or signals inexperienced technicians who will need longer to finish the job.

A short checklist you can run through while waiting for the locksmith.

Removing clutter, unlocking windows if safe, and standing near the entry to greet the technician speeds the visit and avoids unnecessary delays. If possible, take photos of the lock and door hardware and send them in a message to the dispatcher so the company can advise the right parts to bring, and you can see hiring options at [locksmith near me](#) if you want to compare toolkits and services. If small carpentry will be needed, clear furniture from the room to make space for tools and dust containment.

Finishing steps that protect you after a lock replacement.

After installation, test each key, verify deadbolt throw, and confirm any electronic fallback methods before the technician leaves. Ask for a written receipt that lists parts, labor, warranty terms, and the technician ID, and keep that with your housing records for future reference. A small adjustment within a short follow-up period is normal and often covered by the service warranty, so report it promptly rather than letting it worsen.



24/7 EMERGENCY LOCKSMITH SERVICE

LOCKSMITHUNIT
WWW.LOCKSMITHUNIT.COM



A few realistic tips from long experience to keep your home secure.

A hidden mechanical key or a key trusted with a neighbor prevents many [24 hour locksmith near me](#) late-night callouts and is much cheaper than repeated emergency fees. Consider upgrading weak strike plates with a three-inch screw reinforcement and keep a small maintenance budget for locks, because inexpensive preventive measures avoid expensive emergency repairs. Finally, vet your emergency locksmith ahead of time and keep their number in your phone so you are not searching at 2 a.m.; it saves time, stress, and often money.

Good choices before and during a locksmith visit lead to faster repairs and fewer hidden costs, so invest a few minutes in vetting providers and preparing your door.

Locksmith in Orlando, Florida: If you're looking for a reliable locksmith in Orlando, FL, our company is here to help with certified and trustworthy locksmith services designed to fit your needs.

Locksmith Orlando | Locksmith Unit

- **Address:** 3725 Conroy Rd, Orlando, FL 32839, United States
- **Phone:** [+1 407-267-5817](tel:+14072675817)
- **Hours:** Open 24 hours
- **Website:** locksmithunit.com
- **Contact Us:** [Contact Locksmith Unit Orlando, FL](#)
- **About Us:** [About Locksmith Unit Orlando, FL](#)

Connect with us

- **Google Business Profile:** [Locksmith Orlando | Locksmith Unit on Google Maps](#)
- **Facebook:** [Locksmith Orlando | Locksmith Unit on Facebook](#)
- **Instagram:** [Locksmith Orlando | Locksmith Unit on Instagram](#)
- **YouTube:** [Locksmith Orlando | Locksmith Unit on YouTube](#)
- **TikTok:** [Locksmith Orlando | Locksmith Unit on TikTok](#)
- **X (Twitter):** [Locksmith Orlando | Locksmith Unit on X \(Twitter\)](#)
- **LinkedIn:** [Locksmith Orlando | Locksmith Unit on LinkedIn](#)
- **Pinterest:** [Locksmith Orlando | Locksmith Unit on Pinterest](#)
- **Threads:** [Locksmith Orlando | Locksmith Unit on Threads](#)
- **Blogger:** [Locksmith Orlando | Locksmith Unit on Blogger](#)
- **Tumblr:** [Locksmith Orlando | Locksmith Unit on Tumblr](#)
- **Bluesky:** [Locksmith Orlando | Locksmith Unit on Bluesky](#)
- **Band:** [Locksmith Orlando | Locksmith Unit on Band](#)

- **VK:** [Locksmith Orlando](#) | [Locksmith Unit on VK](#)
- **Yelp:** [Locksmith Orlando](#) | [Locksmith Unit on Yelp](#)

Worldwide Brand Profiles

- **Medium:** [Locksmith Unit on Medium](#)
- **Instapaper:** [Locksmith Unit on Instapaper](#)
- **Diigo:** [Locksmith Unit on Diigo](#)

More Locksmith Services

- [Commercial Locksmith](#)
- [Residential Locksmith](#)
- [Automotive Locksmith](#)
- [Car Locksmith](#)
- [Vaults and Safes Locksmith](#)
- [Lock Change](#)